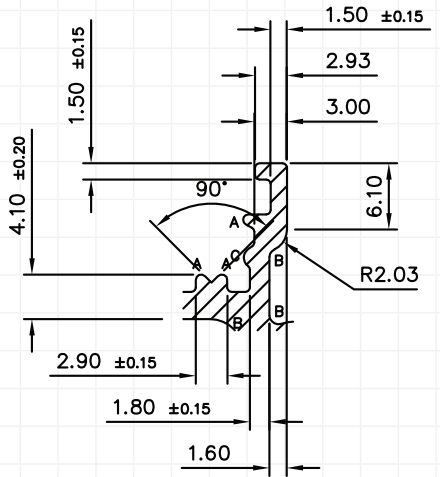
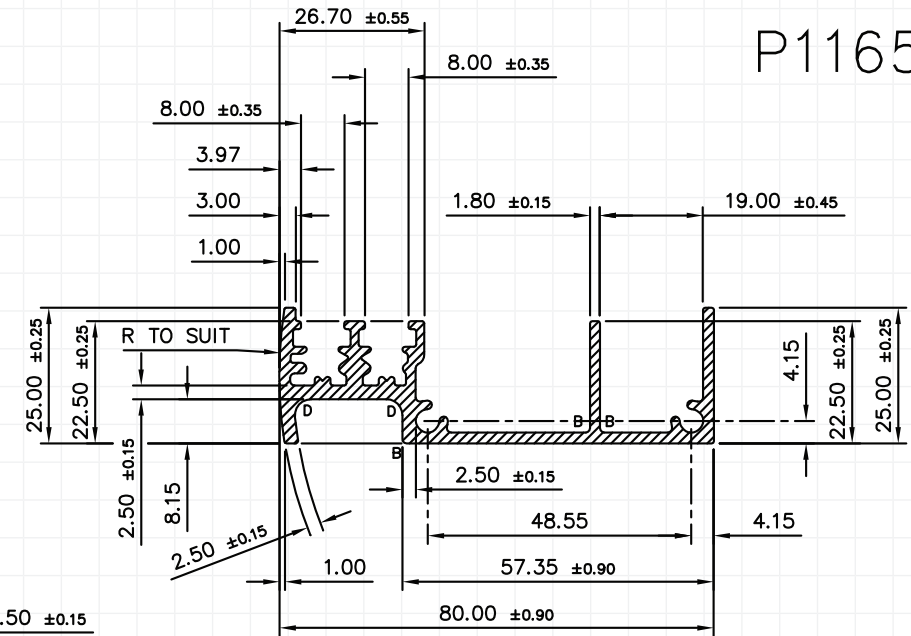
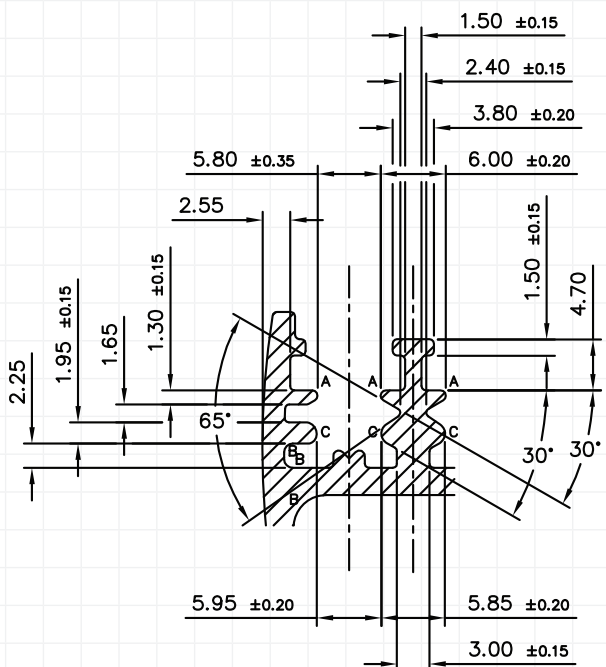
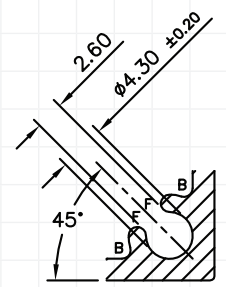


P11658R



- A = 0.50 R
- B = 0.80 R
- C = 1.00 R
- D = 3.00 R
- F = FULL R

UNSPECIFIED WALL THICKNESS 2.00 ±0.15



ALBOARDS
VISUAL
A 12 Mica Street
(PO Box 197)
Carole Park QLD 4300
T (07) 3271 5677
F (07) 3271 5688
W abpgroup.net.au

NOTICEBOARD CHANNEL

NOT TO SCALE

REVISIONS		
MM/DD/YY	...	REMARKS
1	---/---/---	...
2	---/---/---	...
3	---/---/---	...
4	---/---/---	...
5	---/---/---	...

A