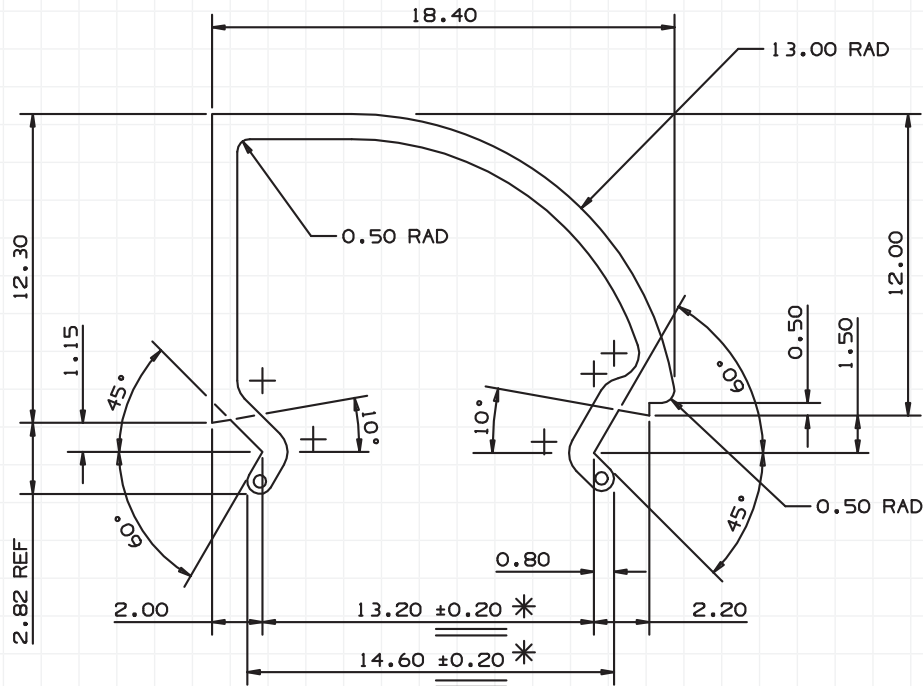


Q4420R

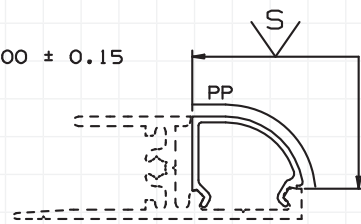


○ DENOTES FULL RAD
 + DENOTES 1.00 RAD

UNSPECIFIED WALL THICKNESS 1.00 ± 0.15

SPECIAL REQUIREMENTS

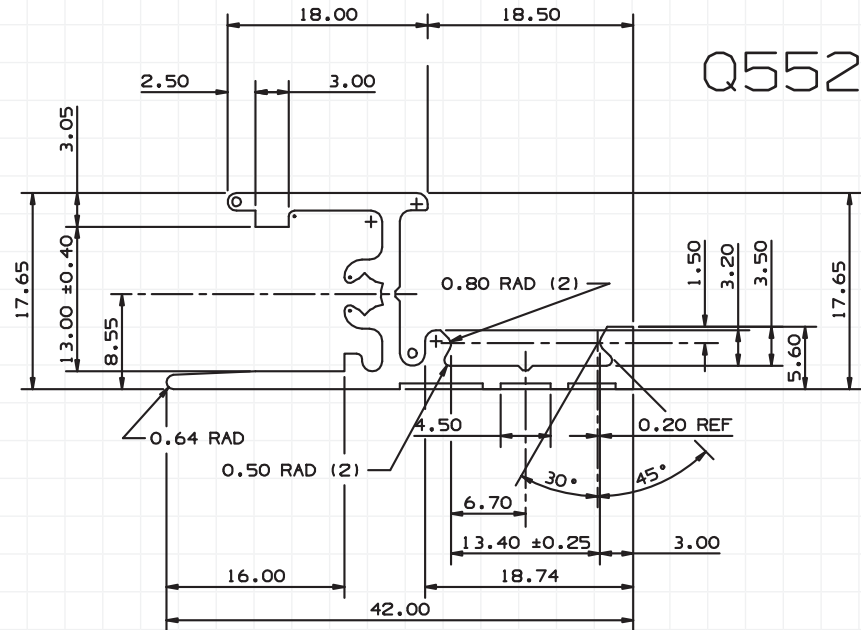
* IMPORTANT TOL
 1/2 STD TOL (2)



DIMENSIONAL TOLERANCES WHERE NOT SHOWN WILL BE IN ACCORDANCE WITH ALCAN DATA SHEETS

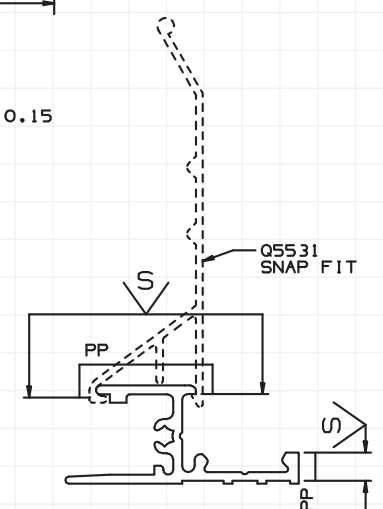
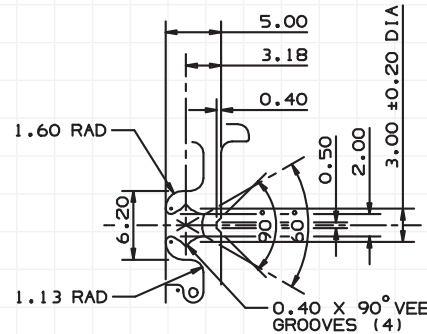
UP TO 0.50mm RAD. ON ALL CORNERS UNLESS OTHERWISE SPECIFIED

Q5529R



○ DENOTES FULL RAD
 • DENOTES 0.50 RAD
 + DENOTES 1.00 RAD

UNSPECIFIED WALL THICKNESS 1.60 ± 0.15



0.40mm RAD. ON ALL CORNERS UNLESS OTHERWISE SPECIFIED



A 12 Mica Street
 (PO Box 197)
 Carole Park QLD 4300
 T (07) 3271 5677
 F (07) 3271 5688
 W abpgroup.net.au

ELITE FRAME

NOT TO SCALE

REVISIONS

MM/DD/YY	REMARKS
1	... / ... / ...
2	... / ... / ...
3	... / ... / ...
4	... / ... / ...
5	... / ... / ...

A